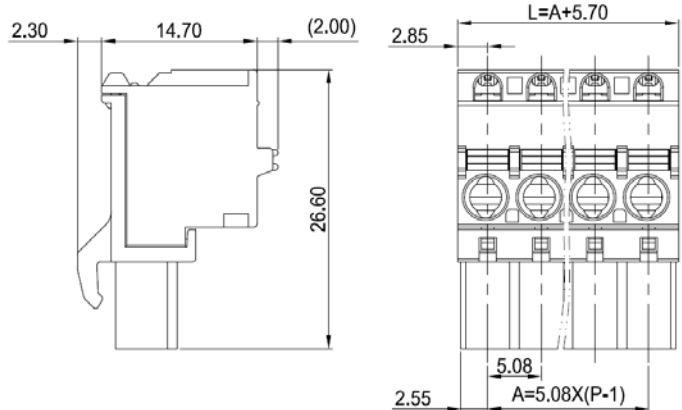


PCB Connector — TLP series ( Female Connector )— TLPS-302RL



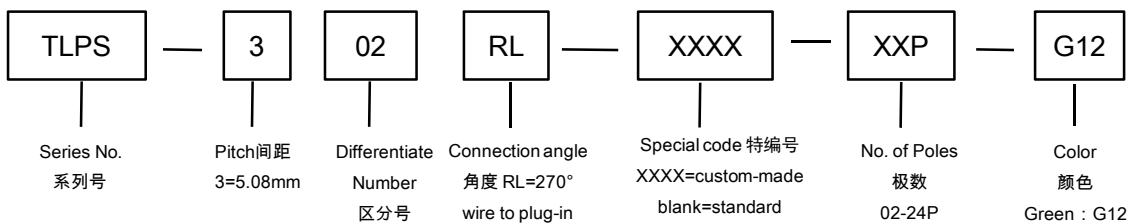
■ 图示(Pic. shown) : TLPS-302RL-06P-G12S

General.	PCB Connector Rated : 630V,20A , 2.5mm <sup>2</sup>
	Single row , 5.08mm pitch , 02-24 Pole
	Wiring orientation: 270°(wire to plug-in )
	Spring clamp unit.

认证 ( Approval ) :

技术参数 Technical Data	UL standard			IEC standard		
	UL应用组别(UL Application group)	UL Application group			IEC过电压别/污染等级(IEC overvoltage category /pollution degree)	
IEC过电压别/污染等级(IEC overvoltage category /pollution degree)	B	C	D	III / 3	III / 2	II / 2
额定电压(Rated voltage)	300V	--	300V	250V	320V	630V
额定电流(Rated current)	12A	--	10A	20A	20A	20A
额定连接容量(Rated connection capacity)	26-12AWG Sol&Str			0.2~2.5mm <sup>2</sup> Sol&Str		
绝缘材料(Insulation Material)	PA66 UL94 V-0					
电流承载部件材料和镀层( Material & Plating of Current carrier )	Copper alloy , Tin plated					
接线弹片材料(Material of Clamp spring )	Stainless Steel					
绝缘电阻(Insulation Resistance)	500MΩ or more at DC500V					
耐电压(1分钟)(Withstanding Voltage/1Min)	1600V					
额定冲击电压(Rated surge voltage)	4000V					
接线螺丝(Wire clamp unit Screw) , 最大扭矩( torque Max. )	--					
固定螺丝(Mounting Screw) , 扭矩(torque)	--					
剥线长度(Wire stripping length)	10.0mm					
使用温度(Operating temperature)	-40°C up to +115°C					
焊接方式(Soldering recommend)	--					

■ 订购方式(How to order)



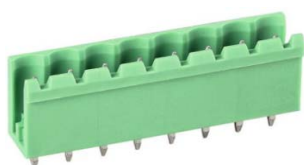
Web:www.china-tianli.com    TEL:+86-574-6347-9600,6389-6436    Mail : sale@china-tianli.cn  
地址:中国浙江省宁波杭州湾新区庵东工业园区纬三路138号  
ADD : 138 , Weisan Rd.,Andong Development Zone, Hangzhou Bay Area, Ningbo, Zhejiang, China

■ 编码片 Coding key



P/N:  
TLPCK-002-S

■ 针座 ( Pin header ) — single row



P/N : TLPH-300V  
Orientation :  
90° ( plug-in to board )  
Rated:320V,20A  
Open side(stack available)



P/N : TLPH-300R  
Orientation :  
180° ( plug-in to board )  
Rated:320V,20A  
Open side(stack available)

■ 针座 ( Pin header ) — single row



P/N : TLPHC-300V  
Orientation :  
90° ( plug-in to board )  
Rated : 320V,20A  
Closed side



P/N : TLPHC-300R  
Orientation :  
180° ( plug-in to board )  
Rated : 320V,20A  
Closed side

■ 针座 ( Pin header ) — single row



P/N : TLPH-300A  
Orientation :  
45° ( plug-in to board )  
Rated : 630V,20A  
Open side(stack available)



P/N : TLPHC-300A  
Orientation :  
45° ( plug-in to board )  
Rated : 630V,20A  
Closed side

■ 针座 ( Pin header ) — single row



P/N : TLPH-300R-1603  
Orientation :  
180° ( plug-in to board )  
Rated:320V,20A  
Open side(stack available)



P/N : TLPHC-300R-1603  
Orientation :  
180° ( plug-in to board )  
Rated:320V,20A  
Closed side

■ 针座 ( Pin header ) — single row



P/N : TLPHS-304  
Orientation :  
180° ( plug-in to wire )  
Rated : 320V,20A  
Screw clamp unit: M3 , 0.5Nm

■ 针座 ( Pin header ) — dual row staggered



P/N : TLPHD-303V  
Orientation :  
90° ( plug-in to board )  
Rated : 320V,20A  
Open side(stack available)



P/N : TLPHD-303R  
Orientation :  
180° ( plug-in to board )  
Rated : 320V,20A  
Open side(stack available)

■ 针座 ( Pin header ) — dual row staggered

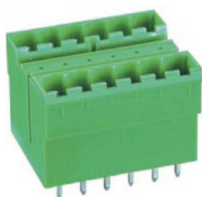


P/N : TLPHDC-303V  
Orientation :  
90° ( plug-in to board )  
Rated : 320V,20A  
Closed side



P/N : TLPHDC-303R  
Orientation :  
180° ( plug-in to board )  
Rated : 320V,20A  
Closed side

■ 针座 ( Pin header ) — dual row in 1 plane



P/N : TLPHDC-300V  
Orientation :  
90° ( plug-in to board )  
Rated:320V,20A  
Closed side



P/N : TLPHDC-300R  
Orientation :  
180° ( plug-in to board )  
Rated : 320V,20A  
Closed side