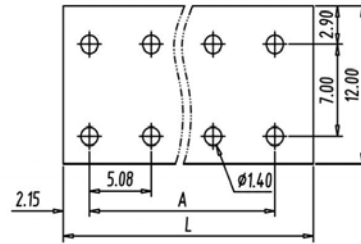
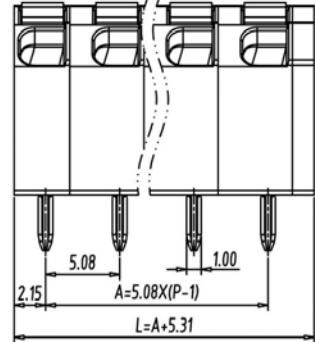
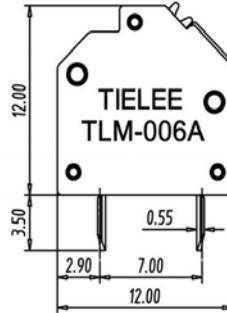


PCB terminal block — TLM series ( Screwless Type ) — TLM-006A-5.08



■ 图示(Pic. shown) : TLM-006A-5.08-04P-G12

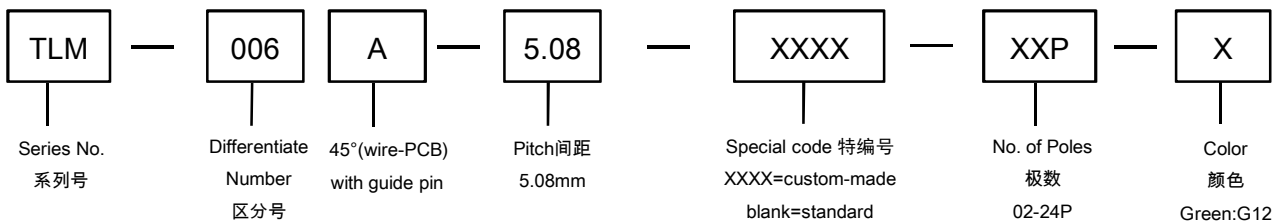
General:	PCB terminal block	Rated : 320V, 17.5A 1.5mm <sup>2</sup>
	Single row , 5.08mm pitch , 02-24 Pole	
	Wiring orientation: 45°(wire-to-PCB)	
	Screwless Type	

认证 ( Approval )



技术参数 Technical Data	UL standard			IEC standard		
	UL Application group			IEC过电压别/污染等级(IEC overvoltage category /pollution degree)		
UL应用组别(UL Application group)	B	C	D	III / 3	III / 2	II / 2
IEC过电压别/污染等级(IEC overvoltage category /pollution degree)				320V	320V	630V
额定电压(Rated voltage)	300V	--	300V	17.5A	17.5A	17.5A
额定电流(Rated current)	10A	--	10A	0.2~1.5mm <sup>2</sup> Sol&Str		
额定连接容量(Rated connection capacity)	26-16AWG Sol&Str			PA66 UL94 V-0		
绝缘材料(Insulation Material)				Copper alloy , Tin plated		
电流承载部件材料和镀层( Material & Plating of Current carrier )				Stainless		
接线弹片材料(Material of Clamp spring )				500MΩ or more at DC500V		
绝缘电阻(Insulation Resistance)				1600V		
耐电压(1分钟)(Withstanding Voltage/1Min)				4000V		
额定冲击电压(Rated surge voltage)				--		
接线螺丝(Wire clamp unit Screw) , 最大扭矩( torque Max. )				--		
固定螺丝(Mounting Screw) , 扭矩(torque)				9.0-10.0mm		
剥线长度(Wire stripping length)				-40°C up to +115°C		
使用温度(Operating temperature)				Wave soldering ,260°C 5S Max (Single Wave) , 260°C 10S Max(Double Wave)		
焊接方式(Soldering recommend)						

■ 订购方式(How to order)



Web:www.tielee.com/www.china-tianli.com/ TEL:+86-574-6347-9600,6389-6436 Mail : sale@china-tianli.cn

地址:中国浙江省宁波杭州湾新区庵东工业园区纬三路138号

ADD : 138 , Weisan Rd.,Andong Development Zone, Hangzhou Bay Area, Ningbo, Zhejiang, China