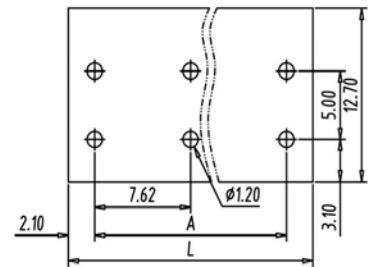
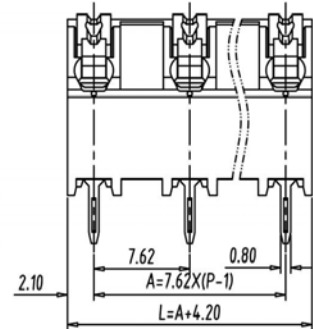
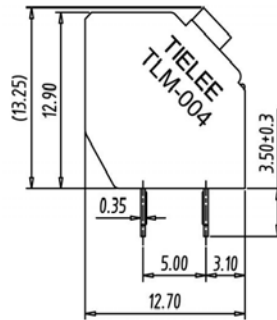



PCB terminal block — TLM series (Screw less Type) — TLM-004AT-7.62



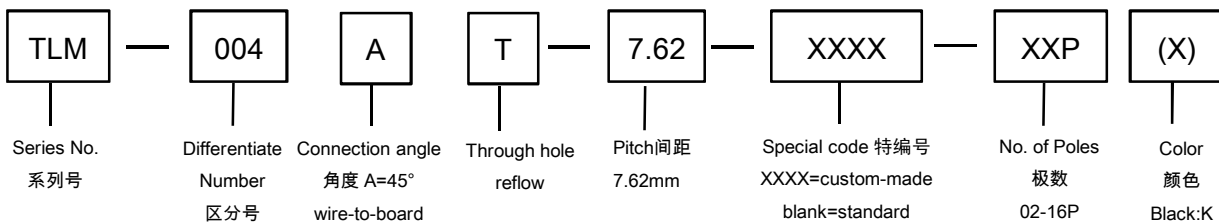
■ 图示(Pic. shown) : TLM-004AT-7.62-04P(K)

General:	PCB terminal block	Rated : 630V, 17.5A 1.5mm ²
	Single row , 7.62mm pitch , 02-16 Pole	
	Wiring orientation: 45°(wire-to-board)	
	Screwless Type	

认证 (Approval) 

技术参数 Technical Data	UL standard			IEC standard		
UL应用组别(UL Application group)	UL Application group			IEC过电压别/污染等级(IEC overvoltage category /pollution degree)		
IEC过电压别/污染等级(IEC overvoltage category /pollution degree)	B	C	D	III / 3	III / 2	II / 2
额定电压(Rated voltage)	300V	--	300V	500V	630V	800V
额定电流(Rated current)	12A	--	10A	17.5A	17.5A	17.5A
额定连接容量(Rated connection capacity)	28-16AWG Sol&Str			0.2~1.5mm ² Sol&Str		
绝缘材料(Insulation Material)	PAHT UL94 V-0					
电流承载部件材料和镀层(Material & Plating of Current carrier)	Copper alloy , Tin plated					
接线弹片材料(Material of Clamp spring)	Stainless					
绝缘电阻(Insulation Resistance)	500MΩ or more at DC500V					
耐电压(1分钟)(Withstanding Voltage/1Min)	1600V					
额定冲击电压(Rated surge voltage)	6000V					
接线螺丝(Wire clamp unit Screw) , 最大扭矩(torque Max.)	--					
固定螺丝(Mounting Screw) , 扭矩(torque)	--					
剥线长度(Wire stripping length)	8.0-9.0mm					
使用温度(Operating temperature)	-40°C up to +130°C(UL) / -40°C up to +120°C(IEC)					
焊接方式(Soldering recommend)	Reflow soldering ,260°C 30S Max					

■ 订购方式(How to order)



Web:www.tielee.com/www.china-tianli.com/ TEL:+86-574-6347-9600,6389-6436 Mail : sale@china-tianli.cn

地址:中国浙江省宁波杭州湾新区庵东工业园区纬三路138号

ADD : 138 , Weisan Rd.,Andong Development Zone, Hangzhou Bay Area, Ningbo, Zhejiang, China